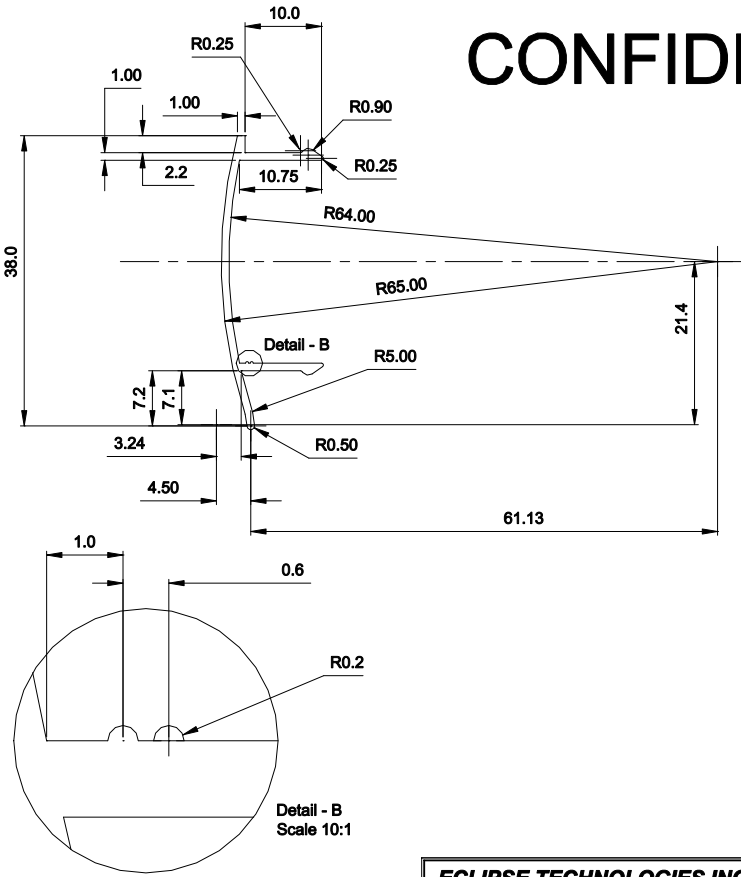


# CONFIDENTIAL



- Notes:**
- 1- Material Aluminum 6063-T5
  - 2- Max Material Length 6096 mm

**ECLIPSE TECHNOLOGIES INC.**  
**CONFIDENTIAL AND PROPRIETARY**

THIS DOCUMENT CONTAINS ECLIPSE TECHNOLOGIES CONFIDENTIAL INFORMATION, AND IS LOANED TO THE RECEIVER IN CONFIDENCE. THE RECEIVER AGREES THAT, EXCEPT WITH ECLIPSE TECHNOLOGIES' PRIOR WRITTEN PERMISSION, IT WILL NOT USE OR DISCLOSE TO OTHERS THE DOCUMENT OR ANY COPY OR THE INFORMATION THEY CONTAIN.  
 2) NOT COPY OR REPRODUCE THE DOCUMENT IN WHOLE, OR PART.  
 3) UPON COMPLETION OF THE NEED TO RETAIN THE DOCUMENT, OR UPON DEMAND, RETURN THE DOCUMENT, ALL COPIES AND ALL RELATED MATERIAL.

DO NOT SCALE DRAWING  
 DIMENSIONS ARE IN MILLIMETERS  
 REMOVE ALL BURRS AND SHARP EDGES  
 TOLERANCES: UNLESS OTHERWISE NOTED  
 ONE DECIMAL ± .1 FRACTIONAL ±  
 TWO DECIMAL ± . TWO DECIMAL ± .  
 THREE DECIMAL ± . ANGULAR ± .

DRAWING TITLE  
**Side Guide Cover**

REVISEN #	DATE	REVISION DESCRIPTION	BY	CHK
B	25-08-2006	ID Marking added	SS	SS
© 2005 ECLIPSE TECHNOLOGIES INC. ALL RIGHTS RESERVED				

DRAWN BY	APPROVED BY	DATE	DRAWING NUMBER	REVISION
SS	SS	09/11/07	ET-107	B