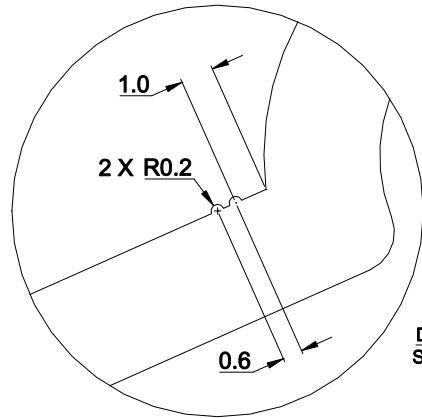
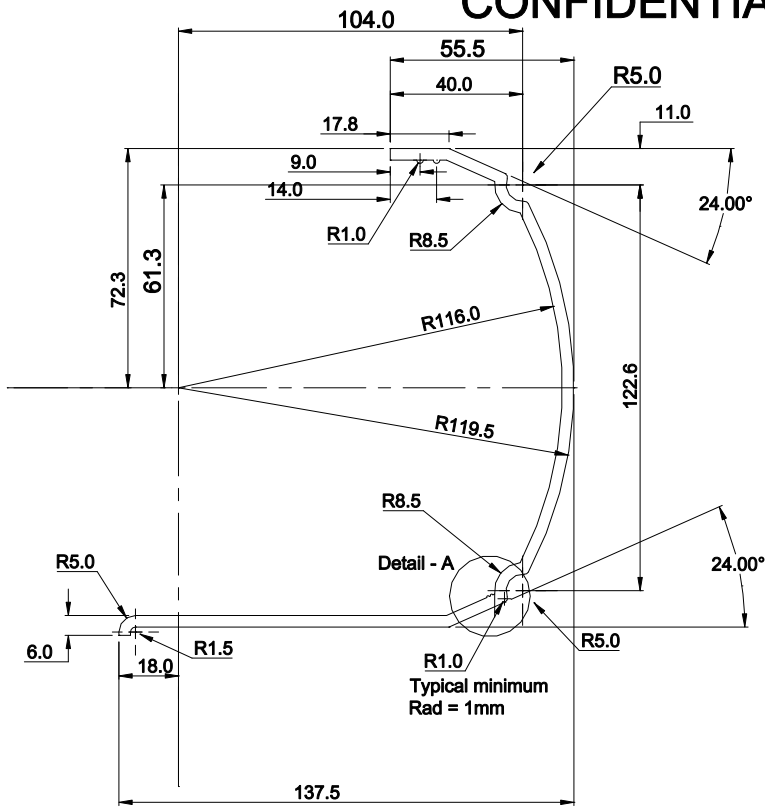


**CONFIDENTIAL**



- Notes:**
- 1- Material Aluminum 6061-T5 (OR) Aluminum 6063-T5
  - 2- Material 3.5mm Constant Thickness.
  - 3- Max Material Length = 20 FEET (6096 mm)

**Detail - A**  
Scale 10:1

**ECLIPSE TECHNOLOGIES INC.**  
CONFIDENTIAL AND PROPRIETARY

DO NOT SCALE DRAWING  
DIMENSIONS ARE IN MILLIMETERS  
REMOVE ALL BURRS AND SHARP EDGES  
TOLERANCES: UNLESS OTHERWISE NOTED  
ONE DECIMAL ± .1 FRACTIONAL ±  
TWO DECIMAL ± .02  
THREE DECIMAL ± .005 ANGULAR ± .5

DRAWING TITLE  
**Front Cover Housing**

REVISEN #	DATE	REVISION DESCRIPTION	BY	CHK
B	27/12/2007	Detail A - ID Marking Added	SS	SS

DRAWN BY	APPROVED BY	DATE	DRAWING NUMBER	REVISION
SS	SS	06/07/07	ET-100	B

© 2005 ECLIPSE TECHNOLOGIES INC. ALL RIGHTS RESERVED

THIS DOCUMENT CONTAINS ECLIPSE TECHNOLOGIES CONFIDENTIAL INFORMATION, AND IS LOANED TO THE RECEIVER IN CONFIDENCE. THE RECEIVER AGREES THAT, EXCEPT WITH ECLIPSE TECHNOLOGIES PRIOR WRITTEN PERMISSION, IT WILL NOT BE REPRODUCED, COPIED, OR DISCLOSED TO OTHERS. THE RECEIVER AGREES TO RETURN THIS DOCUMENT AND ALL RELATED MATERIAL UPON COMPLETION OF THE NEED TO RETAIN THE DOCUMENT, OR UPON DEMAND.