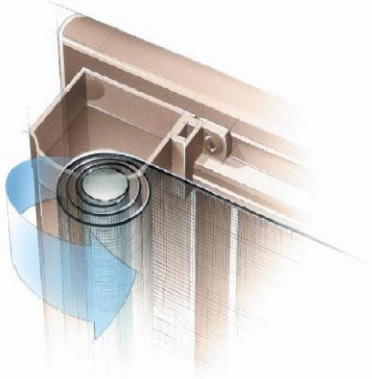
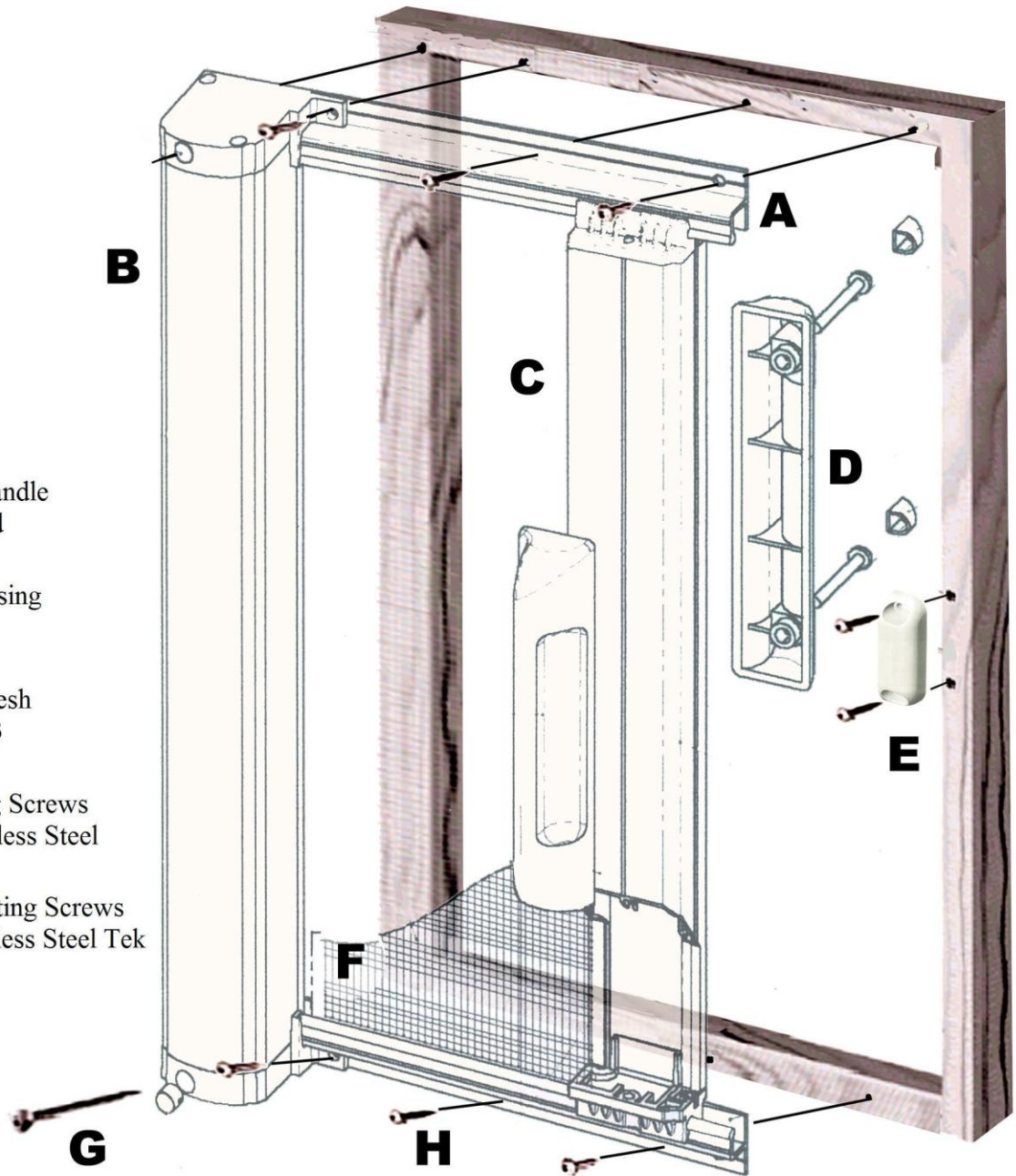


Design Specifications

Part Specs

- A.** Aluminum Rail
7/8" h x 1/2" w
- B.** Aluminum Housing
1 13/16" w x 1 27/32" d
- C.** Aluminum Pull Bar
1 3/4" w x 7/8" d
- D.** Nylon - U.V. Protected Handle
6" h x 1 1/4" w x 25/32" d
- E.** Nylon - U.V. Magnet Housing
2 1/8" h x 13/16" d
- F.** PVC Coated Fiberglass Mesh
18 x 14 Thread/Inch x 0.13
- G.** #8 x 2" Housing Mounting Screws
Robertson Pan Head Stainless Steel
- H.** #6 or #8 x 3/4" Rail Mounting Screws
Robertson Pan Head Stainless Steel Tek



- Aluminum extrusions are powder coated and available in 11 different colors. (Laminated Oak Veneer available also)
- Housing and handle screws are capped and remain hidden and protected. Rail screws are color matched and unobtrusive.
- Door heights up to 109" with standard grey or charcoal insect mesh.
- Door widths up 96" (2 single doors with maximum 48" opening each).*
- Solar, Noseum, and Pet mesh also available for doors up to 84" high and up to 72" wide (2 single doors with maximum 36" opening each).
- Window widths from 17" to 84" installed horizontally with retract lengths up to 78".
- Solar and Noseum mesh also available for windows up to 66" high.

*See Know the Rules- Page 1 [18 X 14 X .013 with optional over width 56" mesh (Stiffened)]



Know the Rules – Page I

SCREEN MESH SPECIFICATIONS FOR DOORS:

18 X 14 X .013 (18 X 14 denotes strands per inch; the .013 denotes the mesh thickness.)

18 X 14 X .013 mesh is available in both Grey and Charcoal. This standard mesh, which we use on 95% of our 'door' applications, is a PVC coated fiberglass mesh that is manufactured to our stiffness specifications by both Phifer and New York Wire. This mesh in both gray and charcoal is rated at 55% UV protection.

18 X 14 X .013 in standard 44" width" (Stiffened)

The standard 44" screen mesh is recommended for up to a 36" pull length (opening). (We like to leave at least 8 inches on the roll in case someone walks into the screen). Can I get away with a 38" pull length? The answer is yes, however, you should notify the customer that the factory recommends the 56" mesh option which is available at an additional charge and that it may save them from having to replace the screen sooner rather than later. Please note the following 56" rule.

18 X 14 X .013 with optional over width 56" mesh (Stiffened)

56" width screens are only available for doors up to 96" in height. The 56" width screens are recommended for pull lengths (openings) of up to 42". Can I get away with a 48" pull length? The answer is yes, however, you should notify the customer that the factory recommends using a French door system for pull lengths over 42" especially for door heights from 84" to 96".

Please note: 56" screens are not available for solar, noseum, pet mesh or doors over 96" in height.

NOSEUM 20 X 20 X .013

Noseum 20 X 20 X .013 is also a Phifer Wire mesh. It is designed to keep out very small bugs while maintaining fair ventilation properties. Solar protection is rated at 30%. Noseum 20 X 20 X .013 is not stiffened and can only be used on standard door widths and heights (up to 84" in height with a max 36" pull width). Both gray and charcoal are available, please allow an extra week for delivery when ordering gray 20 X 20 X .013.

PET MESH 16 X 13 X .018

Pet Mesh 16 X 13 X .018 is a heavy duty insect screen manufactured by Phifer Wire and is ideal for heavy traffic areas or openings prone to damage by pets or small children. It is made of strong vinyl-coated polyester. This mesh also has excellent outward visibility and ventilation properties. This mesh is not stiffened and will sag if you go over specifications and it is recommended a few extra turns on the spring in combination with an extra magnet be used.



Know the Rules - Page II

SCREEN MESH SPECIFICATIONS FOR DOORS (CONT.)

SOLAR 40 X 40 X .015 (Solar Black)

Solar 40 X 40 X .015 is manufactured by Phifer Wire and advertises this mesh in their catalogue at up to 90% UV protection. They also advertise this mesh at 85% UV protection on a separate specs sheet. We advertise this mesh at 90% UV protection to be on the safe side. The 40 X 40 X .015 solar is a thicker, heavier mesh that is not stiffened. We recommend that this mesh only be used on standard size openings (up to 84" in height with a max 36" pull width). It is important to note that the solar 40 X 40 X .015 has very small holes therefore allowing minimal ventilation. The mesh may also blow out of the track much easier due to the lack of airflow through the screen. We recommended that a few extra turns on the spring in combination with an extra magnet be used to minimize this effect. Solar 40 X 40 X .015 is only available in Charcoal, code name Solar Black (SB).

SOLAR 20 x 30 x .013

Solar 20 X 30 X .013 is also manufactured by Phifer Wire and is advertised at 65% UV protection. Although you can fit more 20 X 30 X .013 on the roll, we still recommend that only standard sizes (up to 84" in height with a max 36" pull width) be used. This mesh is not stiffened and will sag if you go over specifications. This mesh has better ventilation properties than the solar 40 X 40 X .015, but should still not be recommended if ventilation is what the customer is looking for. The 20 X 30 X .013 like the 40 X 40 X .015 may also blow out of the track much easier than the 18 X 14 X .013. It is again recommended that a few extra turns on the spring in combination with an extra magnet be used to minimize this effect. Both gray and charcoal are available, please allow an extra week for delivery when ordering gray solar.

SCREEN MESH SPECIFICATIONS FOR WINDOWS

18 X 16 X .011 STANDARD WINDOW MESH

- Maximum pull length of 78" for horizontal windows". Please note that when you order a window with a 78" pull, you will receive a window with 84" of mesh. For windows, we like to leave 6" of mesh on the roll.

18 X 14 X .013 STIFFENED MESH

- Maximum pull length of 42" for vertical mount housings. 48" openings should not be a problem for vertical mount windows 5' or less in height. 18 X 14 X .013 is normally not used on horizontal mount housings.
- See door specifications for vertical windows over 72 inches.

SOLAR 40 X 40 X .015

- Maximum pull length of 54" for horizontal windows. When ordering a window with a 54" pull, you will receive a window with 60 inches of mesh.
- See solar 40 X 40 X .015 door specifications for solar/ventilation properties and max vertical pull sizes.

Know the Rules - Page III

SCREEN MESH SPECIFICATIONS FOR WINDOWS (CONT.)

SOLAR 20 x 30 x .013

- Maximum pull length of 66" for horizontal windows. When ordering a window with a 66" pull, you will receive a window with 72 inches of mesh.
- See solar 20 X 30 X .013 door specifications for solar/ventilation properties and max vertical pull sizes.

NOSEEM 20 X 20 X .013

- Maximum pull length of 66" for horizontal windows. When ordering a window with a 66" pull, you will receive a window with 72 inches of mesh.
- See 20 X 20 X .013 door specifications for solar/ventilation properties and max vertical pull sizes.

GENERAL RULES FOR WINDOWS

- Fabricated to 1/8" increments with minimum window length of 17".
On larger applications the consumer may have to manually push the pull bar back to the housing as the spring unit will not be strong enough to pull it back on its own. Extra spring tension will eliminate this effect, especially on larger applications. You can use up to 30 turns on the spring and still be well within spring limitations.
- Maximum recommended window length for horizontal windows is 96". On windows that are 72" or more, you may have to secure the housing in the middle to avoid sag. Factory tests at 96" have been very successful; however, we have heard from installers that they have not had similar success. We are not sure why the discrepancies, but we will continue to monitor the larger windows applications and inform you if we have a change in policy.

IMPORTANT:

- Windows are different than doors in that the housings are usually mounted horizontally instead of vertically; therefore stiffening of the mesh is no longer a limiting factor when it comes to the maximum pull length. We are only limited by the amount of mesh we can physically fit into the housing and the minimum and maximum lengths of the housing. For windows that are mounted with vertical housings it is important to note that you must use a 'V' at the end of your window code so we will know here at the factory that we need to use stiffened mesh instead of our standard 18 X 16 X .011 mesh. Vertical windows are treated as doors and the same pull out rules for the different types of screen mesh apply. Since vertical windows are treated the same as doors, you know that you will not be ordering a vertical window with more than a 42" opening unless;
- you are using a French door system
 - you are installing a window that is 5' or less in height, in which case, a 48" pull length (opening) will not be a problem.

Know the Rules - Page IV

Quick Reference Chart for Both Doors and Windows

The following chart indicates the maximum pull out for quick reference. (W) denotes window code (D) denote door code PLEASE REMEMBER:

- non-stiffened mesh (solar, noseem, and window mesh) can only be used on standard heights (max. 84").
- 56" width screens are only available for doors up to 96" in height.

TYPE/COLOR	SCREEN MESH	MAX PULL LENGTH	CODE
DGR Door Grey	18 X 14 X .013	36" or 42"	Use code 44 or 56 for vertical mount
DCH Charcoal	18 X 14 X .013	36" or 42"	Use code 44 or 56 for vertical mount
WGR Window Grey	18 X 16 X .011	Up to 78"	For horizontal mount (order pull out size)
WCH Window Charcoal	18 X 16 X .011	Up to 78"	For horizontal mount (order pull out size)
DSB Solar Black	40 X 40 X .015	Up to 36"	Use code 44 for vertical mount
WSB Solar Black	40 X 40 X .015	Up to 54"	For horizontal mount (order pull out size)
DSG Door Solar Grey	20 X 30 X .013	Up to 36"	Use code 44 for vertical mount
DSC Door Solar Charcoal	20 X 30 X .013	Up to 36"	Use code 44 for vertical mount
WSG Window Solar Grey	20 X 30 X .013	Up to 66"	For horizontal mount (order pull out size)
WSC Window Solar Charcoal	20 X 30 X .013	Up to 66"	For horizontal mount (order pull out size)
DNG Door Noseem Grey	20 X 20 X .013	Up to 36"	Use code 44 for vertical mount
DNC Door Noseem Charcoal	20 X 20 X .013	Up to 36"	Use code 44 for vertical mount
WNG Window Noseem Grey	20 X 20 X .013	Up to 66"	For horizontal mount (order pull out size)
WNC Win. Noseem Charcoal	20 X 20 X .013	Up to 66"	For horizontal mount (order pull out size)
DPC Door Pet Mesh Charcoal	16 X 13 X .018	Up to 36"	Use code 44 for vertical mount