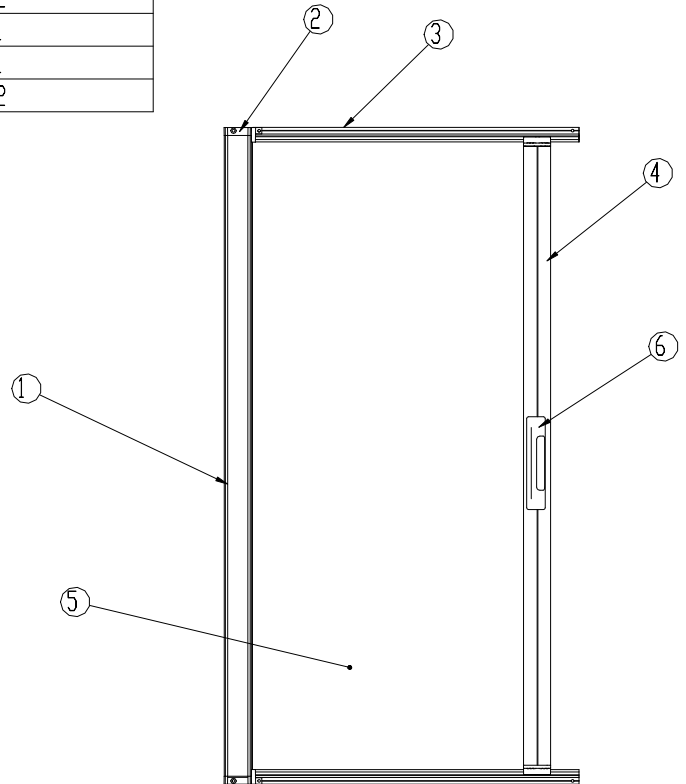
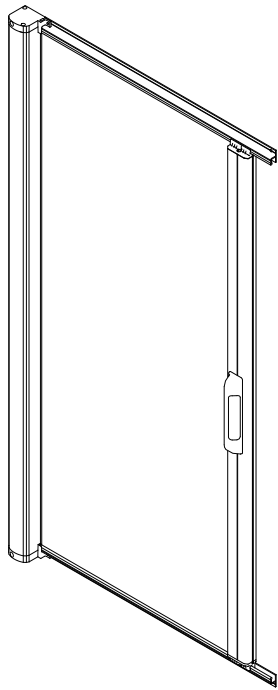


ITEM NO.	Description	QTY.
1	Aluminum Housing 1 13/16" W x 1 27/32" D	1
2	End Caps	1
3	Aluminum Rail 7/8" H x 1/2" W	2
4	Aluminum Pull Bar 1 3/4" W x 7/8" D	1
5	PVC Coated Fiberglass Mesh 18 x 14 Thread / Inch x 0.13	1
6	Nylon - U.V Protected Handle 6" x 1 1/4" W 25/32" D	2



ECLIPSE TECHNOLOGIES INC. CONFIDENTIAL AND PROPRIETARY				DO NOT SCALE DRAWING DIMENSIONS ARE IN MILLIMETERS REMOVE ALL BURRS AND SHARP EDGES TOLERANCES- UNLESS OTHERWISE NOTED ONE DECIMAL ± .1 FRACTIONAL ± TWO DECIMAL ± THREE DECIMAL ± ANGULAR ±		DRAWING TITLE Aira Assembly				
REV	ECH #	DATE	REVISION DESCRIPTION	BY	CHK	DRAWN BY	APPROVED BY	DATE	DRAWING NUMBER	REVISION
0			2008 ECLIPSE TECHNOLOGIES INC. ALL RIGHTS RESERVED			SS	SS	16 /03/09	ET-90	A

THIS DRAWING CONTAINS ECLIPSE TECHNOLOGIES CONFIDENTIAL INFORMATION AND IS LOANED TO THE RECEIVER IN CONFIDENCE. THE RECEIVER AGREES THAT, EXCEPT WITH ECLIPSE TECHNOLOGIES' PRIOR WRITTEN PERMISSION, IT WILL NOT USE OR REPRODUCE TO OTHERS THE DOCUMENT OR ANY COPY OR THE INFORMATION HEREON.
 IN NO COPY OR REPRODUCTION OF THIS DOCUMENT OR ANY PART THEREOF, SHALL THE RECEIVER BE HELD RESPONSIBLE FOR THE REPRODUCTION OR ANY PART THEREOF.
 RETURN THE DOCUMENT, ALL COPIES AND ALL RELATED MATERIALS.